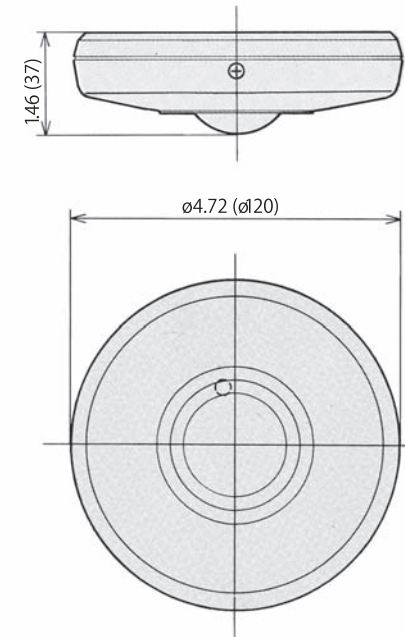


## IX. SPECIFICATIONS

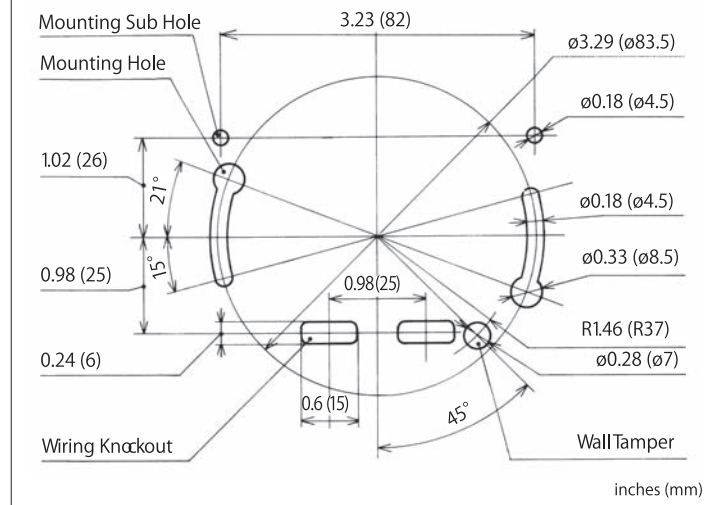
Model	FX-360
Detection method	Passive Infrared
Coverage	ø25ft - ø40ft / (ø8m - ø12m)
	Height 8ft - 12ft / (2.4m - 3.6m)
Detection zones	62 zones
Sensitivity	3° F (1.6° C) at 2ft / sec (0.6m/sec)
Detectable speed	1 - 5ft/sec. (0.3 - 1.5m/sec.)
LED indicator	LED is blinking during warm-up period.
	Alarm indicator optional
Alarm period	2.0 ± 0.5sec
Alarm output	N. C., 28VDC 0.2A max.
Tamper switch	N. C., 30VDC 0.1A max, Opens when cover removed.
Pulse Count	2.0 ± 5sec 2 or 4
Warm up period	Approx 30sec. (LED blinks.)
Power input	9.5 - 18VDC
Current draw	17mA / (normal)
	18mA / (max.)
Weight	4.9 oz (140g)
Operating temperature	-4° F - +122° F (-20° C - +50° C)
Environment humidity	95% max.
RFI interference	No Alarm 20V / m

### Dimensions



inches (mm)

### Mounting Position



inches (mm)

\*Specifications and design are subject to change without prior notice.

### NOTE

This unit is designed to detect movement of an intruder and activate an alarm control panel. Being only a part of a complete system, we cannot accept responsibility for any damages or other consequences resulting from an intrusion.



**OPTEX CO., LTD. (JAPAN)**  
 (ISO9001 Certified)  
 (ISO14001 Certified)  
 5-8-12 Ogoto Otsu Shiga  
 520-0101 JAPAN  
 TEL: +81-77-579-8670  
 FAX: +81-77-579-8190  
 URL: <http://www.optex.co.jp/en/>

**OPTEX INCORPORATED (USA)**  
 TEL: +1-908-993-5770  
 Tech: (800)966-7839  
 URL: <http://www.optexamerica.com/>

**OPTEX (EUROPE) LTD. (UK)**  
 TEL: +44-1628-831000  
 FAX: +44-1628-831000  
 URL: <http://www.optex-europe.com/>

**OPTEX SECURITY SAS (FRANCE)**  
 TEL: +33-437-55-55-52  
 URL: <http://www.optex-security.com/>

**OPTEX SECURITY Sp. z o.o. (POLAND)**  
 TEL: +48-22-898-05-55  
 URL: <http://www.optex.com.pl/>

**OPTEX KOREA CO., LTD. (KOREA)**  
 TEL: +82-2-719-5971  
 URL: <http://www.optexkorea.com/>

**OPTEX (DONGGUAN) CO., LTD. SHANGHAI OFFICE (CHINA)**  
 TEL: +86-21-34600673  
 URL: <http://www.optexchina.com/>



PASSIVE INFRARED  
 DETECTOR

# FX-360

## WONDEREX

### FEATURES

- Ceiling Mount type 360° PIR Detector.
- Selectable pulse count 2 or 4.
- LED ON/OFF remotely from the control panel or the detector.

No. 59-0523-6 121003  
**INSTALLATION INSTRUCTIONS**  
 UL 59-0523-4 0908-31



### COMPLIANCE

- UL Listed
- EN50131-2-2 Security Grade 2, Environmental Class II tested and certificated by Telefication
- EMC Directive 2004/108/EC  
 EN50130-4 1995 +A1: 1998 +A2: 2003  
 EN55022 2006
- PD6662 2010

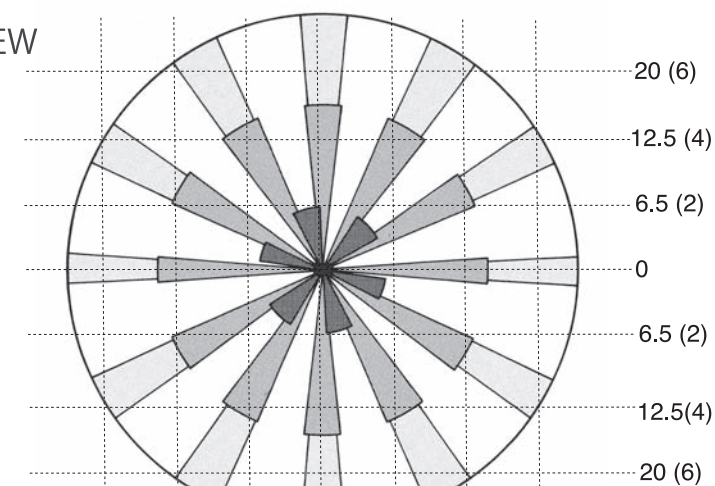
## I. INSTALLATION HINTS



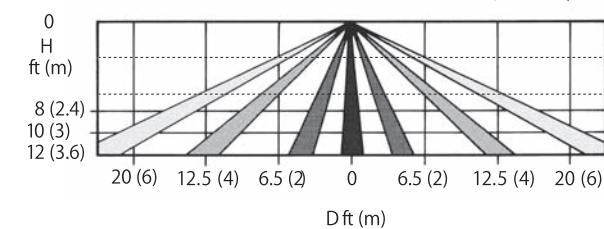
The nix sign indicates prohibition.

## II. DETECTION AREA

### TOPVIEW



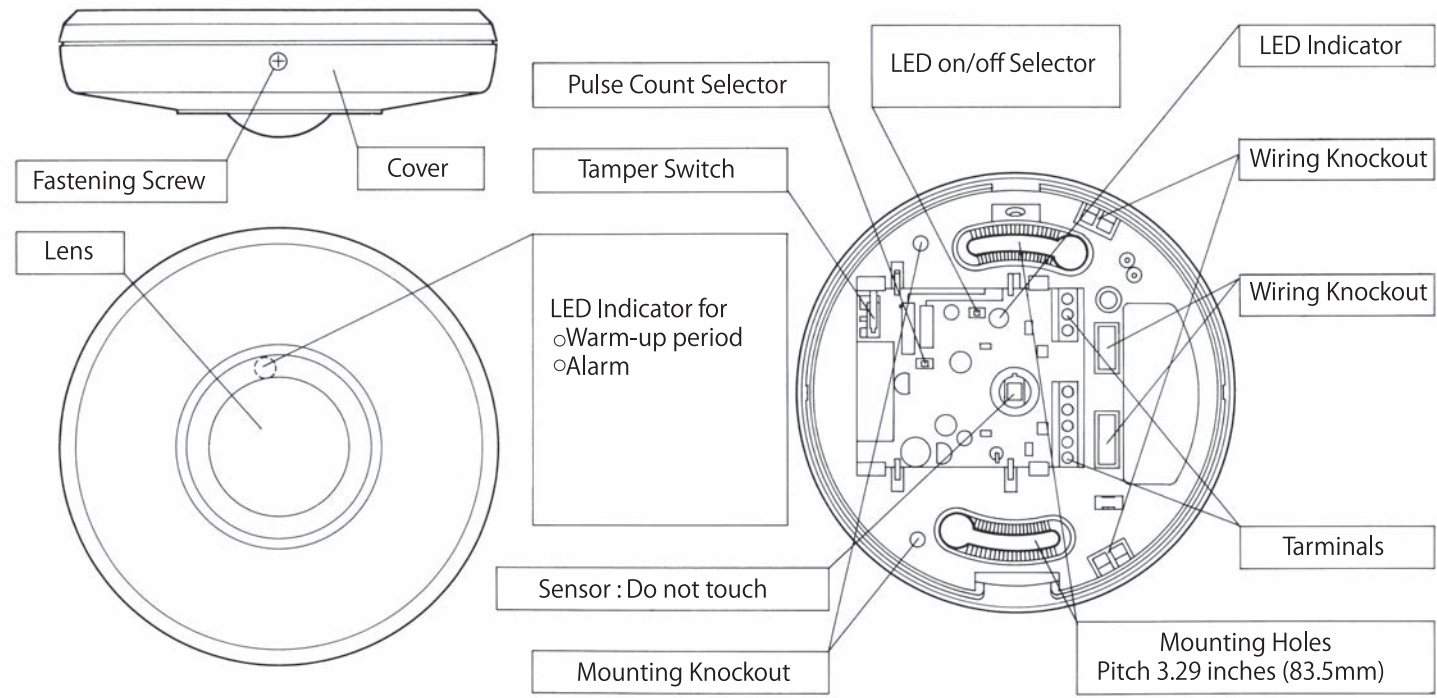
### SIDEVIEW



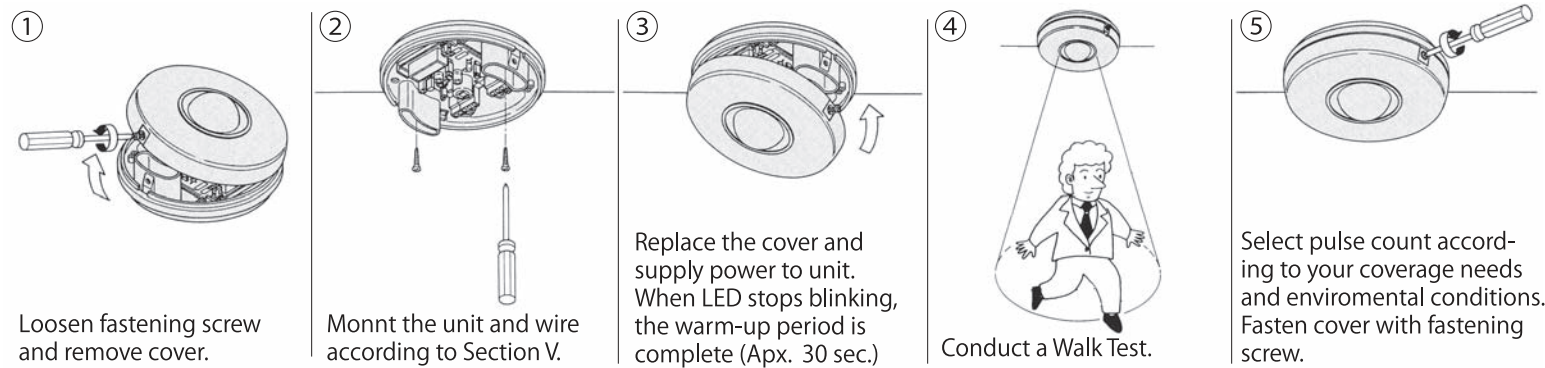
### MAX. Detection AREA

Installation Height ft (m)	8 (2.4)	10 (3)	12 (3.6)
Detection Area (Diameter) ft (m)	25 (8)	32 (10)	40 (12)

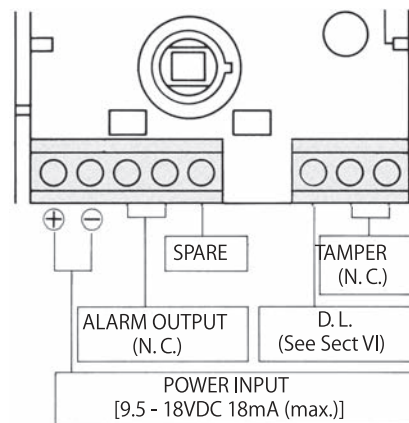
### III. DESCRIPTION AND OPERATION



### IV. INSTALLATION METHOD



### V. WIRING



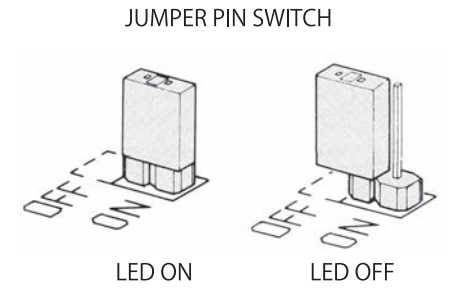
Power wires should not exceed the following lengths.

WIRE SIZE	FX-360	
	12V	14V
AWG22 (0.33mm <sup>2</sup> )	1070' (320m)	2140' (650m)
AWG20 (0.52mm <sup>2</sup> )	1700' (510m)	3400' (1020m)
AWG18 (0.83mm <sup>2</sup> )	2700' (820m)	5300' (1600m)

- When using two or more units on one wire, the maximum length is obtained by dividing the above length by the number of units.
- UL requires FX-360 to be connected to a UL listed power supply capable of providing a nominal input of 12VDC (9.5 - 18VDC) 18mA (max.) [FX-360], and battery standby time of 4 hours.

### VI. LED ON-OFF

- Use Jumper Pin Switch for LED "ON" "OFF" as shown.
- Use D.L. terminal to turn LED ON-OFF from control panel remotely.
  - Place Jumper Pin Switch in OFF position.
  - LED On : Connect D.L. terminal to common ground with detector
  - LED Off : No connection to the D.L. terminal.



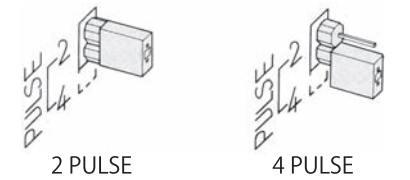
	Remotely	At the Detector
LED Enabled	Connect DL terminal to common ground (with detector).	Connect (-) terminal of power input to DL terminal.
LED Disabled	No ground to DL terminal (open circuit).	No connection to DL terminal (open circuit).

### VII. PULSE COUNT

Select 2 for regular applications. For unstable environments, select 4. Shift Pin Switch as shown.

#### \* NOTE ON PULSE COUNT DURING WALK TEST

Once initial movement is detected during the walk test, subsequent movements that are within the delayed timer period (approx. 20 seconds) will override the pulse count setting and cause an instant trigger. This feature assures location of each detection zone and accelerates the confirmation of pattern coverage in the walk test.



### VIII. TROUBLE SHOOTING AND MAINTENANCE

PROBLEM	PROBABLE CAUSE	REMEDY
LED does not light.	In correct power supply voltage. (disconnection, low voltage)	Correct supply voltage to 9.5 - 18V DC.
	Incorrect detection area.	See Section II.
	Incorrect polarity to detector.	Switch positive and negative at terminal.
	LED switch is OFF	Turn on the Switch. See Section VI.
LED lights even though no person within area.	Moving object within area. (curtain, wall hanging, etc.)	Remove object from detection area.
	Rapid temperature changes within area. (heater, air-conditioner, etc.)	Remove the sources from detection area.
LED lights but signal is not sent.	Relay contact is stuck or damaged due to overloading.	Check load of output. The unit needs repair or replacement.
	Faulty Wiring	Wire correctly.

\* Conduct a walk test at least once per year.