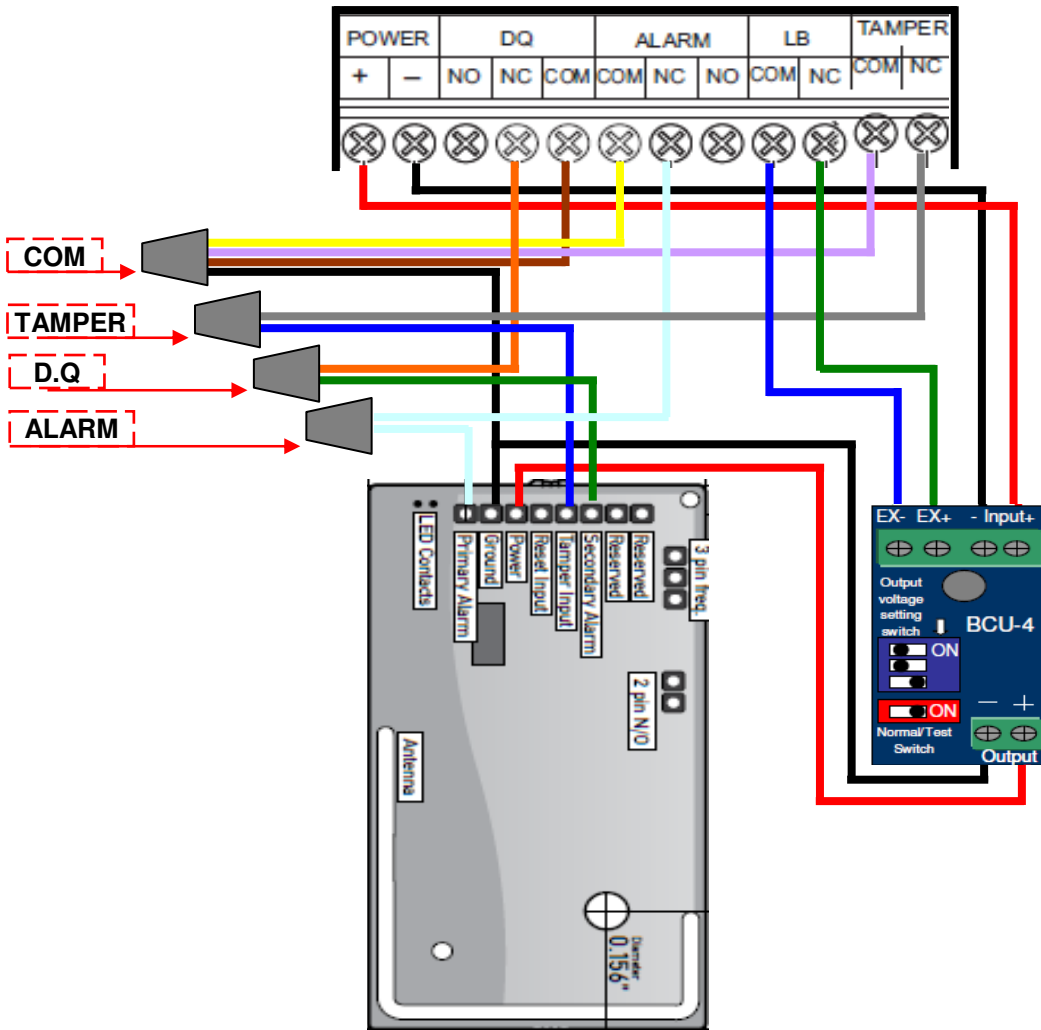


RECEIVER

Tested By _____.



Harness Wiring

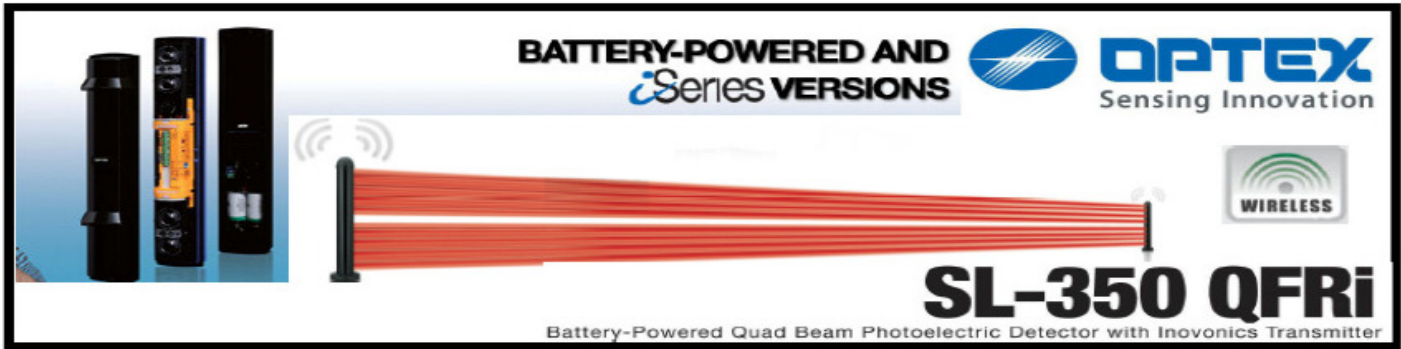
EN1941

WHITE	Primary Alarm- N/C BEAM ALARM
BLACK	NEGATIVE/ALL COMMONS/SHARED
RED	POSITIVE POWER/SHAR
BROWN	RESET INPUT/NOT USED
BLUE	TAMPER INPUT/Rear-Cover Tamper

(Low Battery is built into EN1941 and Shared with Beam Power)

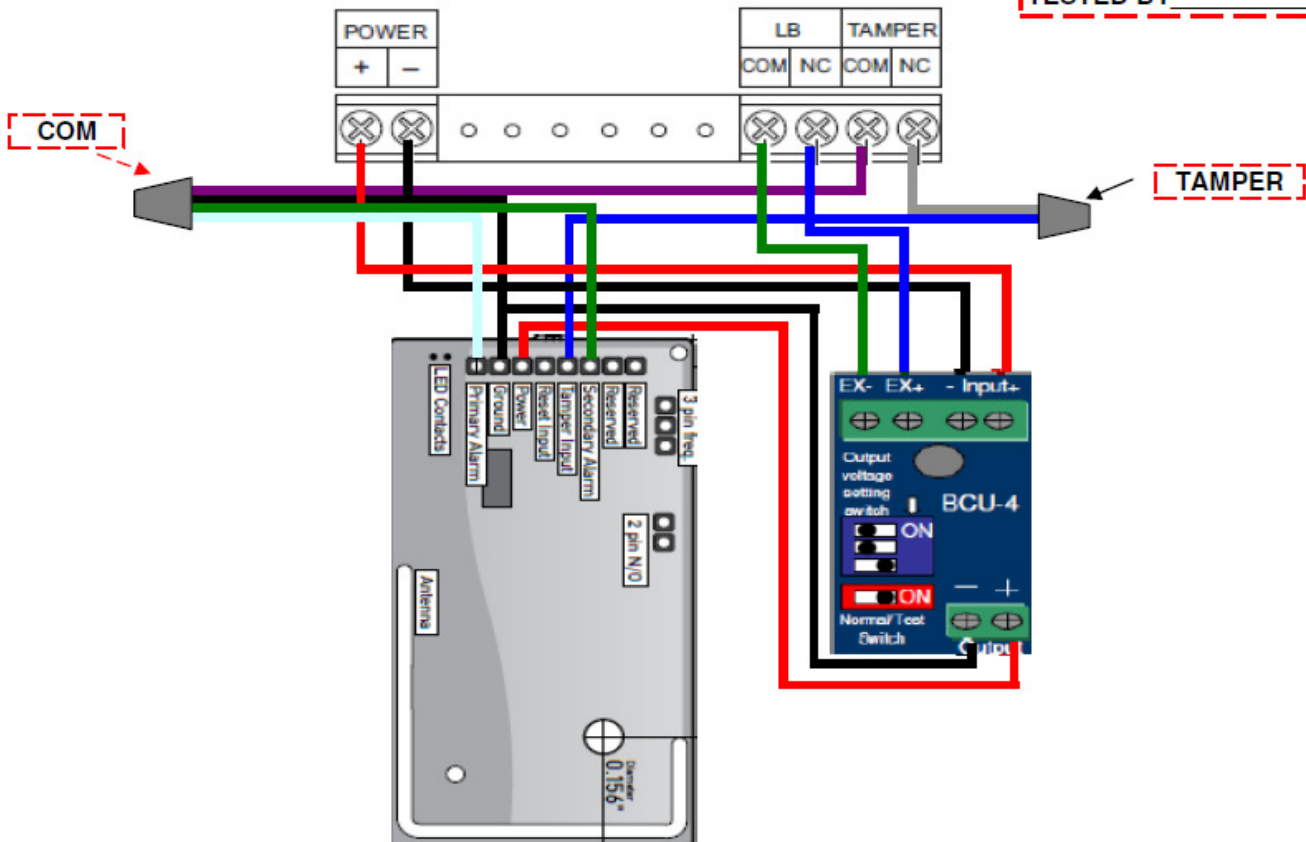
OPTEX, INC. (USA)

13661 Benson Ave, Chino CA 91710
 TEL 800-966-7839 FAX 909-628-5560



TRANSMITTER

TESTED BY _____



Harness Wiring

EN1941

WHITE	Primary Alarm- NOT USED
BLACK	NEGATIVE/ALL COMMONS/SHARED
RED	POSITIVE POWER/SHARED
BROWN	RESET INPUT/NOT USED
BLUE	TAMPER INPUT/Beam Rear Tamper
GREEN	SECONDARY ALARM-NOT USED

(Low Battery is built into EN1941 and Shared with Beam Power)

OPTEX INCORPORATED (USA)

TEL:+1-909-993-5770

Tech:(800)966-7839

URL:<http://www.optexamerica.com/>