


1. Intended use.

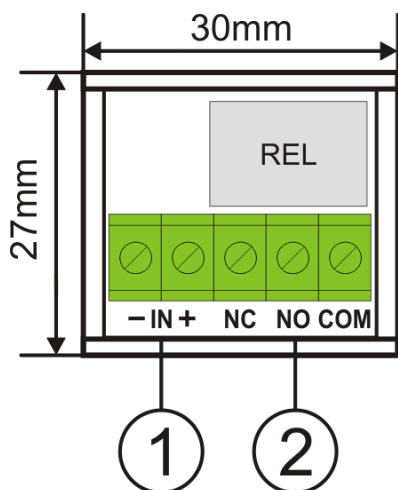
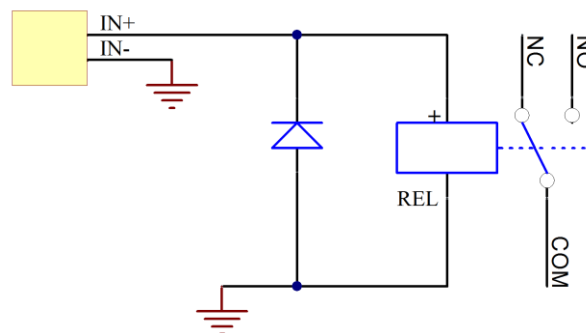
The P1 (AWZ622) relay module is to be used in low-voltage installations. It is intended for controlling and status indication in e.g. alarm or access control systems. It may be used to control devices of high power consumption via OC outputs of alarm systems. Moreover, it ensures galvanic isolation of signals, power sources relating to the outputs of the module.

2. Description of the module.
2.1 Description of components and connectors of the module.

Element no. [fig. 1]	Description
[1]	+IN- module's power input
[2]	Relay contacts: COM – inputs of the voltage that control the relay NO - normally open relay's contact NC - normally closed relay's contact

3. Specifications

Supply voltage module	12V (10V DC÷14V DC)
Current consumption	20 mA max.
Number of relays	1
Voltage of the relay's contacts	30V DC / 50V AC max.
Current of the relay's contacts	1A max.
Operating conditions	2nd environmental class -10°C÷ 50°C
Dimensions	L=30, W=27, H=18 [mm, +/-2]
Net/gross weight	0,02 / 0,03 [kg]
Installation	installation tape
Declarations, warranty	CE, 2 year from the production date
Notes	leads on connections: Ø 0,41÷1,63 (AWG 26-14), 0,2÷1mm ²


Fig.1. Drawing of the module.

Fig.2. Electrical diagram.
WEEE PARKING

According to the EU WEE Directive – It is required not to dispose of electric or electronic waste as unsorted municipal waste and to collect such WEEE separately.

Pulsar

Siedlec 150, 32-744 Łapczyca, Polska
 Tel. (+48) 14-610-19-40, Fax. (+48) 14-610-19-50
 e-mail: biuro@pulsar.pl, sales@pulsar.pl
 http:// www.pulsar.pl, www.zasilacze.pl