



AWZ610 v1.0 MP1 Relay module



Edition: 2 from 01.03.2018
Supersedes edition: 1 from 17.11.2015

EN**

1. Technical description.

The MP1 (AWZ610) relay module is to be used in low-voltage installations. It is intended for controlling and status indication in e.g. alarm or access control systems. It may be used to control devices of high power consumption via OC outputs of alarm systems. Moreover, it ensures galvanic isolation of signals, power sources relating to the outputs of the module. It is equipped with two separate T+, T- inputs used to trip relays with high or low condition.

2. Module description.

2.1 Description of components and connectors of the PSU.

Element no. [fig. 1]	Description
[1]	T-, T+ input of voltage controlling relay activity
[2]	+IN- module's power input
[3]	Relay contacts: COM – common relay clamp NO - normally open relay clamp NC - normally closed relay clamp
[4]	LED optical indication: L1 (red) ON: COM contacts, closed NO, OFF: COM contacts, closed NC

3. Specifications

Voltage of the relay's coil	12V (10V DC÷14V DC)
Power consumption	45 mA max.
Number of relays	1
Voltage of the relay's contacts	30V DC / 50V AC max.
Tripping voltage T	T+ 5V± Unom. T- 0V ± (Unom. - 5V)
Current of the relay's contacts	2A max.
Operating conditions	II environmental class -10°C÷ 50°C
Dimensions	L=50, W=43, H=22 [mm, +/-2]
Net/gross weight	0,03 / 0,05 [kg]
Installation	Installation tape or installation bolt x 2
Declarations, warranty	CE, 2 year from the production date
Notes	leads on connections: Ø 0,41÷1,63 (AWG 26-14), 0,2÷1mm ²

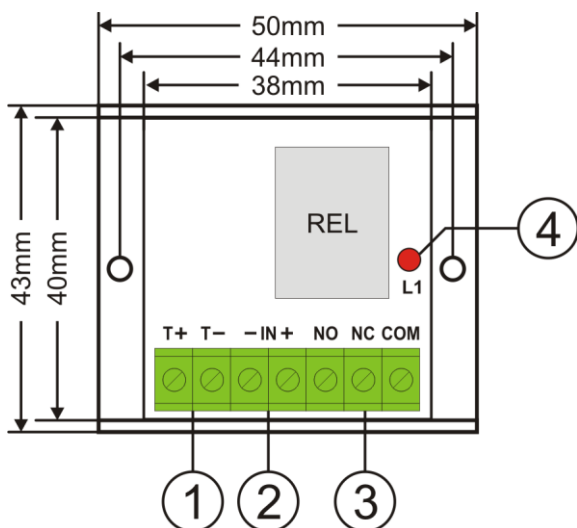


Fig.1. Drawing of the module.

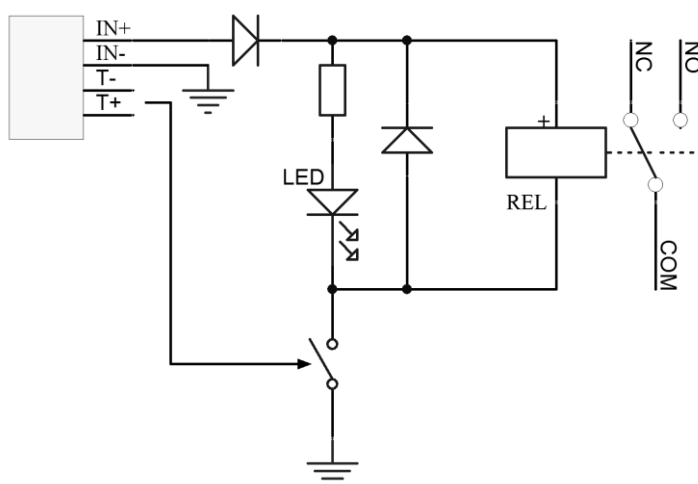


Fig.2. Electrical diagram.

WEEE MARKING

According to the EU WEE Directive – It is required not to dispose of electric or electronic waste as unsorted municipal waste and to collect such WEEE separately.

Pulsar

Siedlec 150, 32-744 Łapczyca, Poland
Tel. (+48) 14-610-19-40, Fax. (+48) 14-610-19-50
e-mail: biuro@pulsar.pl, sales@pulsar.pl
http:// www.pulsar.pl, www.zasilacze.pl