



## MOUNTING ISTRUCTIONS

v1.0

Code: **ARAD1SN**

Name: **RACK 1U/270mm universal enclosure  
for RACK 19" cabinets**

Metallic enclosure for RACK cabinet: CCTV, KD, SSWiN, RTV, LAN

# IMARAD1SN

Edition: 1 from 01.12.2023



### 1. Destination:

Due to its design, the **ARAD1SN** enclosure is intended for mounting inside RACK 19" cabinets, with depths of 450mm, 19" standard. This general-purpose enclosure may serve as an auxiliary element for integrating CCTV, AC, I&HAS, RTV, LAN systems in RACK 19" cabinets. It is intended for mounting:

- control panel and optionally additional modules
- access control controllers with optional modules
- other dedicated devices
- power supply units
- battery

### 2. Specifications:

**Table 1. Electrical parameters.**

<b>Tamper switch protection</b>	1 x microswitch: enclosure opening 0,5 A; 50 V DC max. NC – normally closed contacts
<b>Protection class EN 62368-1</b>	I (first)
<b>Rated current of protective connection</b>	6 A max
<b>Declarations, warranty</b>	CE, 2 years

**Table 2. Mechanical parameters.**

<b>Mounting dimensions</b>	W=19", H=1U
<b>Enclosure dimensions</b>	W=415, H=40, D=270 [+/-2 mm]
<b>Material</b>	Sheet metal DC01, thick: 1 mm Protection anticorrosion Color: RAL 9005 - black
<b>Closing</b>	Bolted: 2x M3
<b>Destination</b>	Inside
<b>Net/gross weight</b>	2.49 / 2.64 [kg]
<b>Notes</b>	front mounting, 4 M6 screws + cage nuts included

**Table 3. Operating parameters.**

<b>Protection grade EN60529</b>	IP20
<b>Operating temperature</b>	-10°C ...+40°C
<b>Storage temperature</b>	-20°C ...+60°C
<b>Relative humidity</b>	20%...90%, without condensation
<b>Sinusoidal vibrations during operation</b>	unacceptable
<b>Impulse waves during operation</b>	
<b>Direct insolation</b>	
<b>Vibrations and impulse waves during transport</b>	According to PN-83/T-42106



### 3. Product description

The enclosure is equipped with a mounting plate for mounting electronics/power supply units. It features tampering protection (against unwanted opening). To enable leading cables into the enclosure, one can buy a cable protection conduit of any length and a cable gland. The conduits and the cable glands are available at the following codes:

- 1) **ARAP16P** – cable gland, inside diameter 16 mm – connection between the protection conduit and the enclosure
- 2) **ARAP21P** – cable gland, inside diameter 21 mm – connection between the protection conduit and the enclosure
- 3) **MM019** – cable protection conduit , inside diameter 16 mm
- 4) **MM020** – cable protection conduit , inside diameter 21 mm

The **ARAD1SN** enclosure has a space for up to 2x ARAP16P and 3x ARAP21P cable glands



Figure 1. View of enclosure.

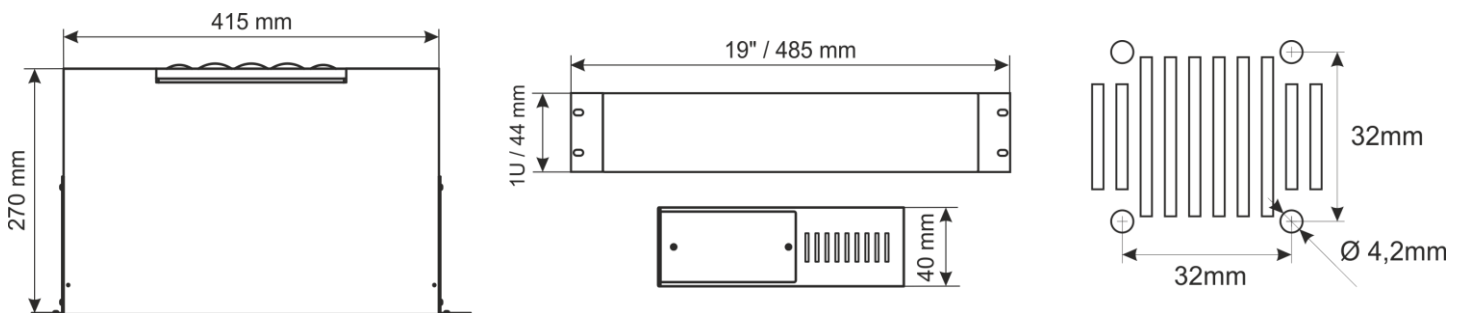


Figure 2. Dimensions.

### 4. Installation

The ARAD1SN enclosure is butt mounted to RACK 19" profiles, the front part is the load-bearing part of the enclosure.



## 5. Accessories:

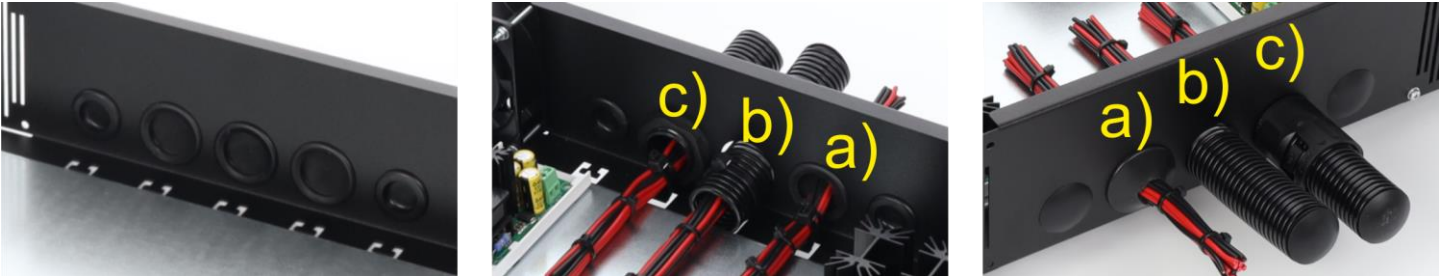
### Enclosed power supply units (maximum height 40mm)



### Cable glands and protection tubes

Wires can be introduced in three ways:

- Through rubber grommets,
- Using the MM019/MM020 protection tubes,
- Using the MM019/MM020 protection tubes and the ARAP16P/ARAP21P cable glands.



#### WEEE LABEL

Waste electrical and electronic equipment must not be disposed of with normal household waste. According to the European Union WEEE Directive, waste electrical and electronic equipment should be disposed of separately from normal household waste.



**CAUTION!** Device works with a lead-acid battery (SLA). After the operation period they must not be thrown but recycled according to the applicable law.

#### Pulsar sp. j.

Siedlec 150,  
32-744 Łapczyca, Poland  
Tel. (+48) 14-610-19-45  
e-mail: [sales@pulsar.pl](mailto:sales@pulsar.pl)  
http:// [www.pulsar.pl](http://www.pulsar.pl)

